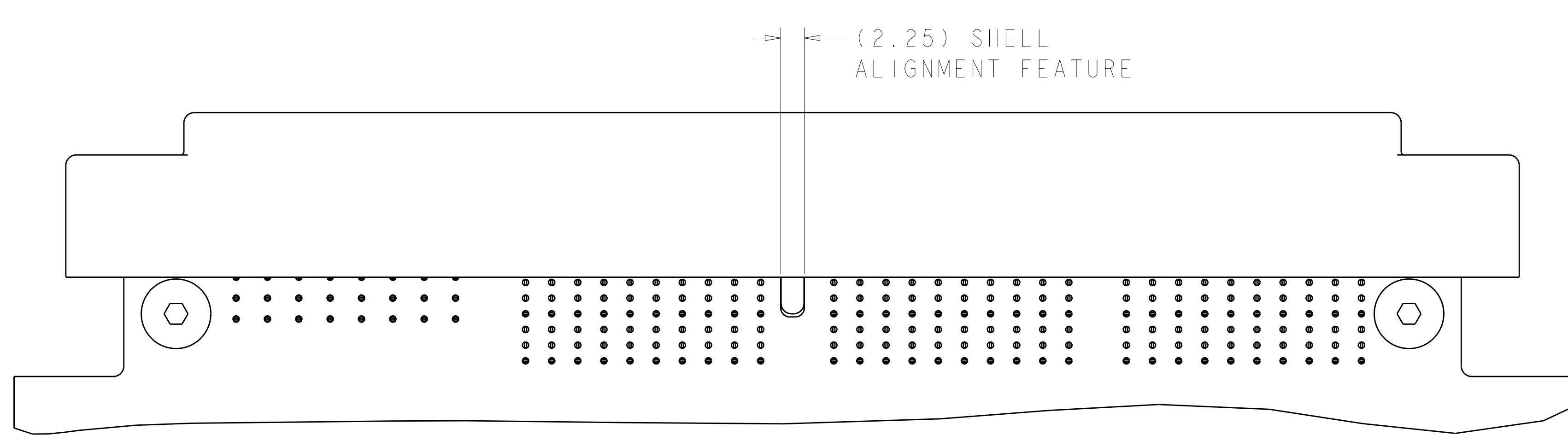
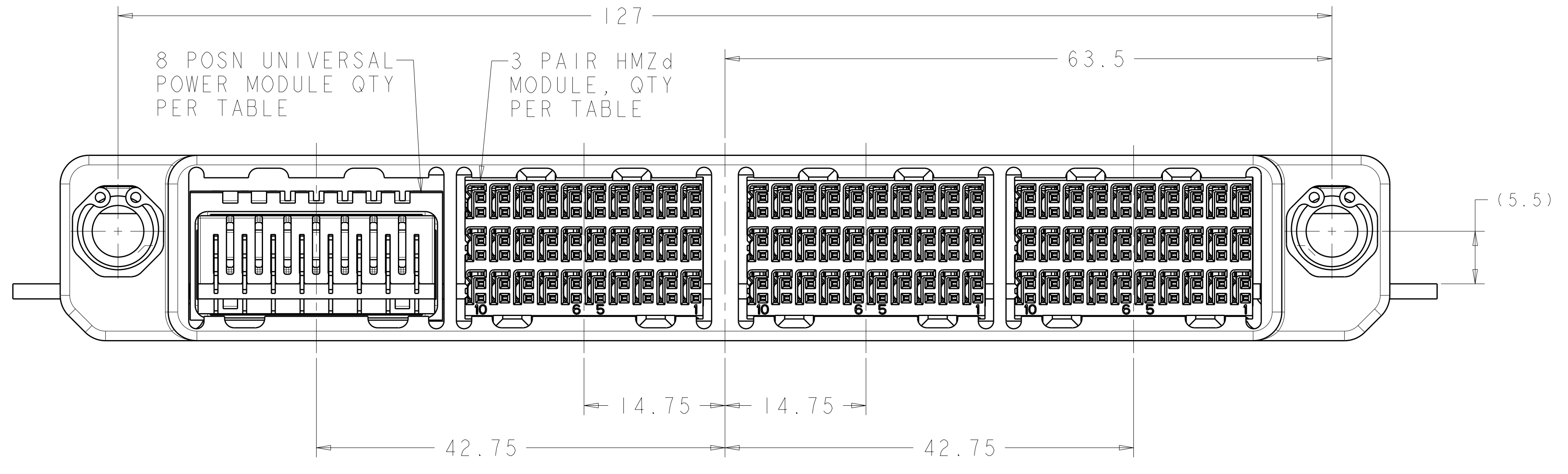
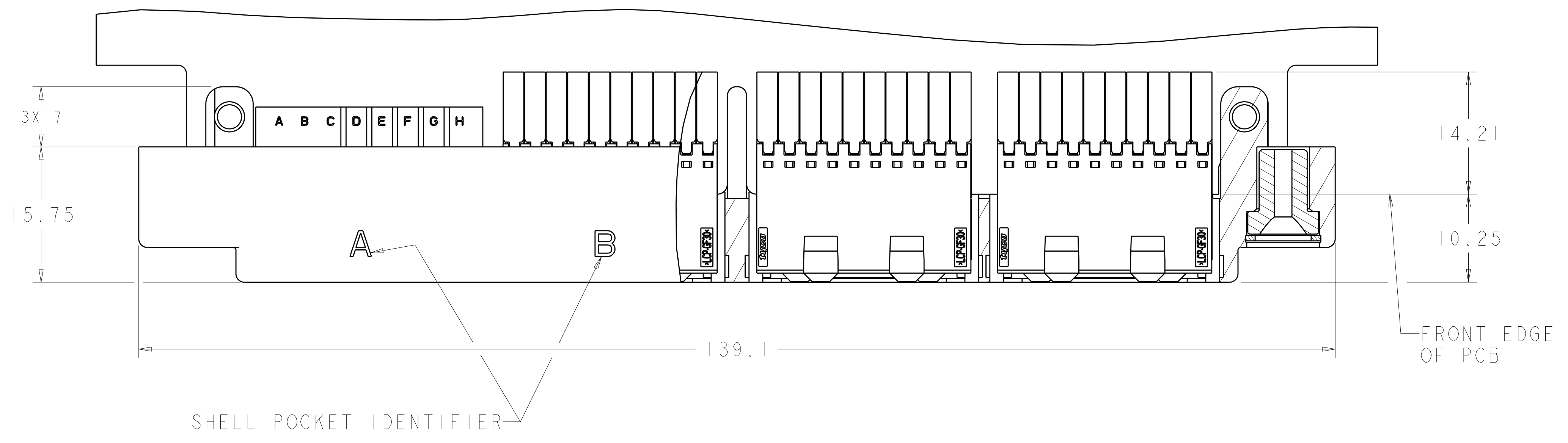


REV ISIONS		DATE	DWN	APVD
LOC	DIST			



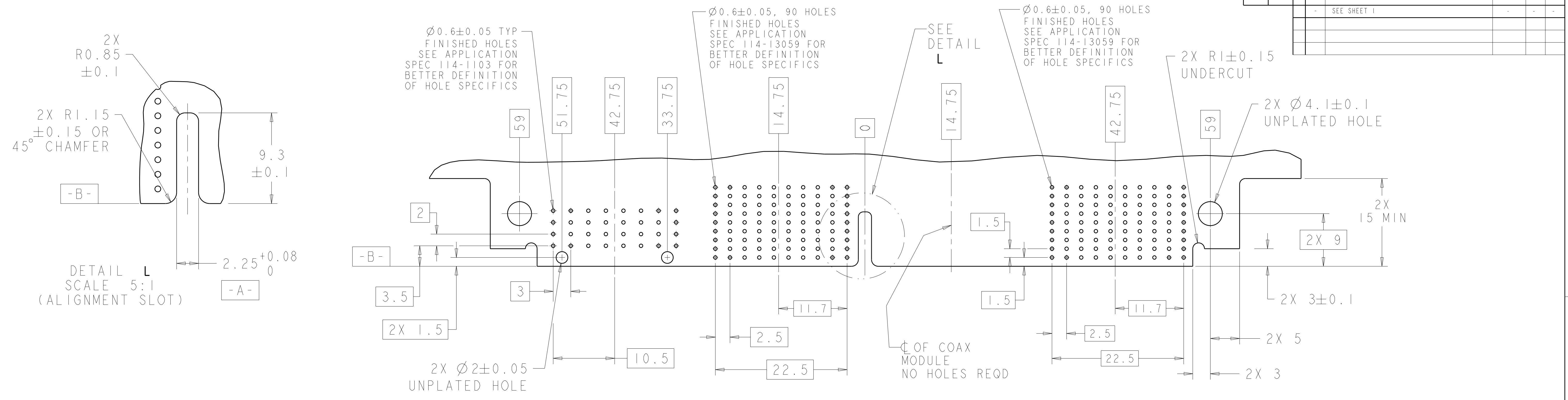
--	NOT RELEASED	2000667-4
TIN-LEAD	- 1 3	2000667-3
TIN	- 4	2000667-2
--	NOT RELEASED	2000667-1
TAIL PLATING	COAX 8 POSN UPM 3 PAIR HMZd	PART NUMBER
	MODULE QTY PER ASSY	

1. MATING CONNECTOR FOR THIS CONNECTOR IS 2000668.

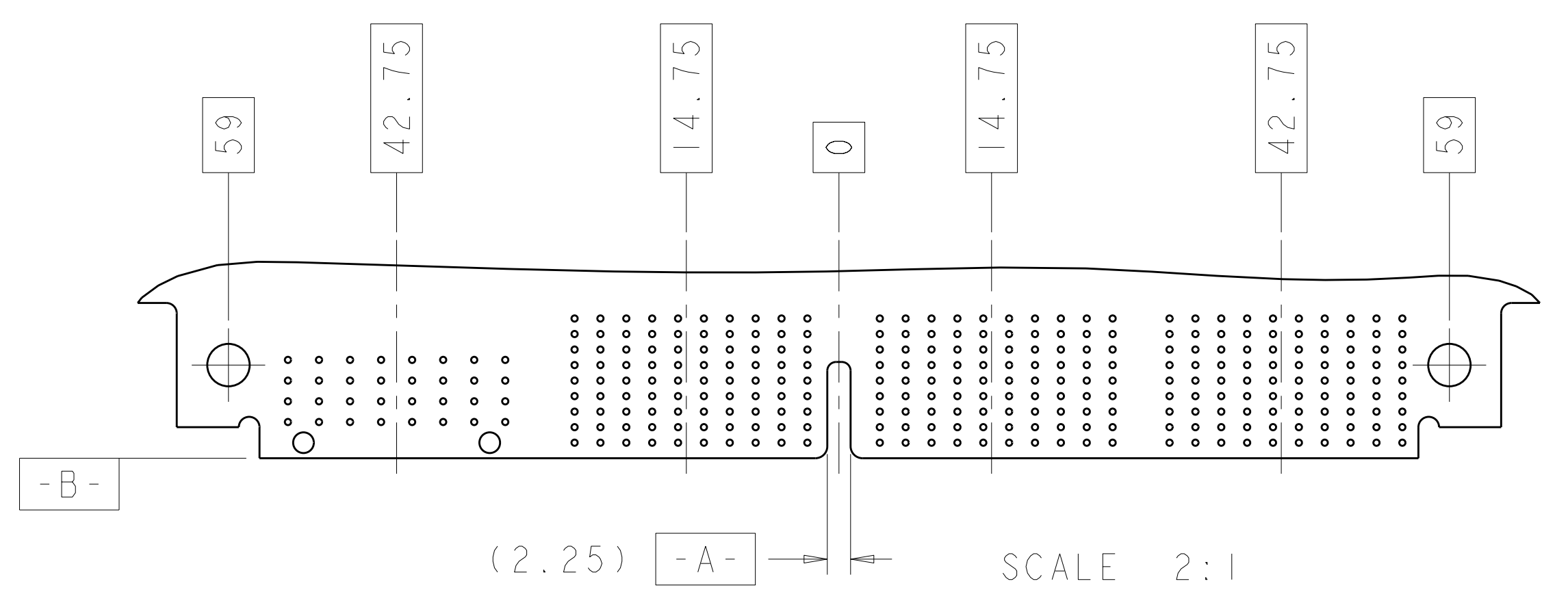
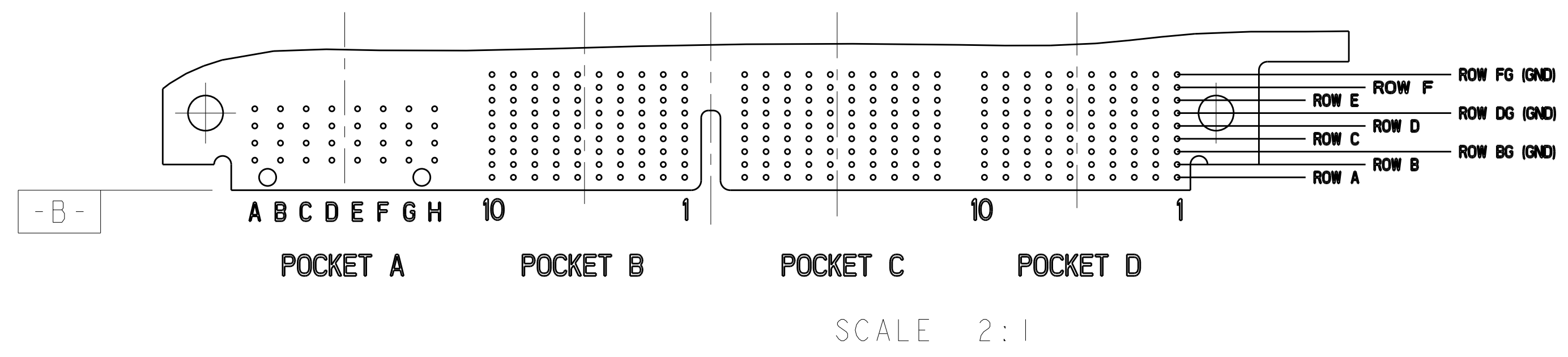
**CAUTION: UNTIL FURTHER NOTICE, ALL DIMENSIONS ON THIS DRAWING SHOULD BE CONSIDERED FOR REFERENCE ONLY**

<small>THIS DRAWING IS UNPUBLISHED. RELEASED FOR PUBLICATION BY TYCO ELECTRONICS CORPORATION. ALL RIGHTS RESERVED. THIS IS SUBJECT TO CHANGE WITHOUT NOTICE AND WITHOUT OBLIGATION. SHOULD BE CONTACTED FOR THE LATEST REVISION.</small>		DWN: Brent D. Yohn CHK: HUNG T. NGUYEN APVD: CHONG YI	TDEC2009 TDEC2009 TDEC2009	Tyco Electronics Harrisburg, PA 17105-3608 <b>tyco</b> <b>Electronics</b>
DIMENSIONS: mm TOLERANCES UNLESS OTHERWISE SPECIFIED: 9 PLC ±.1 1 PLC ±.1 5 PLC ±.1 4 PLC ±.1 ANGLES ±.1 FINISH:		NAME: CHONG YI PRODUCT SPEC: APPLICATION SPEC: SIZE: CAGE CODE DRAWING NO: WEIGHT: A1100779C-2000667 CUSTOMER DRAWING		DAUGHTER CARD CONNECTOR, HIGH SPEED RUGGEDIZED (HSR), 4 BAY, UNSEALED, RIGHT ANGLE RESTRICTED TO: SCALE 1:1 SHEET 1 OF 2 REV A

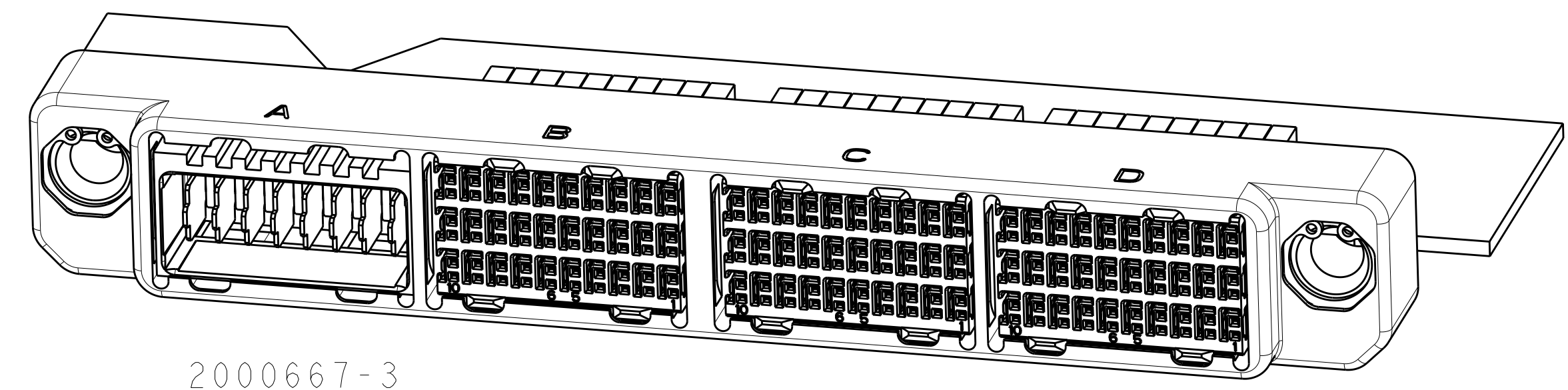
LOC		DIST		REVISIONS			
P	LTB	DESCRIPTION	DATE	DNW	APVD		
-	-	SEE SHEET 1	-	-	-		



RECOMMENDED PC BOARD HOLE LAYOUT AS VIEWED FROM TOP OF PC BOARD NO SPECIFIC PART NUMBER SHOWN



RECOMMENDED PC BOARD HOLE LAYOUT AS VIEWED FROM TOP OF PCB 2000667-3 SHOWN (3 HM-Zd MODULES AND 1 UPM MODULE)



DIMENSIONS: mm 		TOLERANCES UNLESS OTHERWISE SPECIFIED: 9 PLC ±. 1 PLC ±. 5 PLC ±. 4 PLC ±. ANGLES ° ±. FINISH		DWG: Brent D. Yohn CHK: HUNG T. NGUYEN APVD: CHONG YI TDEC2009 NAME: CHONG YI PRODUCT SPEC: APPLICATION SPEC: WEIGHT: CUSTOMER DRAWING		Tyco Electronics Harrisburg, PA 17105-3608 DAUGHTER CARD CONNECTOR, HIGH SPEED RUGGEDIZED (HSR), 4 BAY, UNSEALED, RIGHT ANGLE SIZE: A11 CAGE CODE: 00779 DRAWING NO: 2000667 SCALE: 1:1 SHEET 2 OF 2 REV A	
--------------------	--	---	--	--	--	--	--